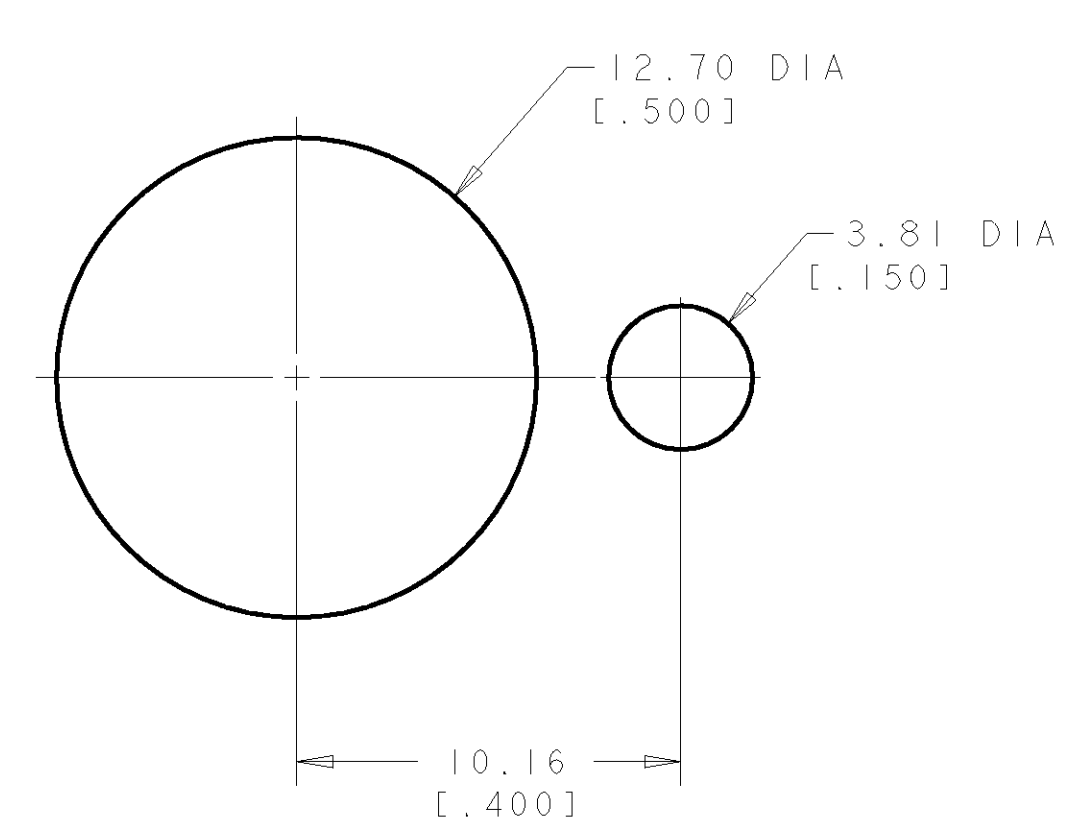
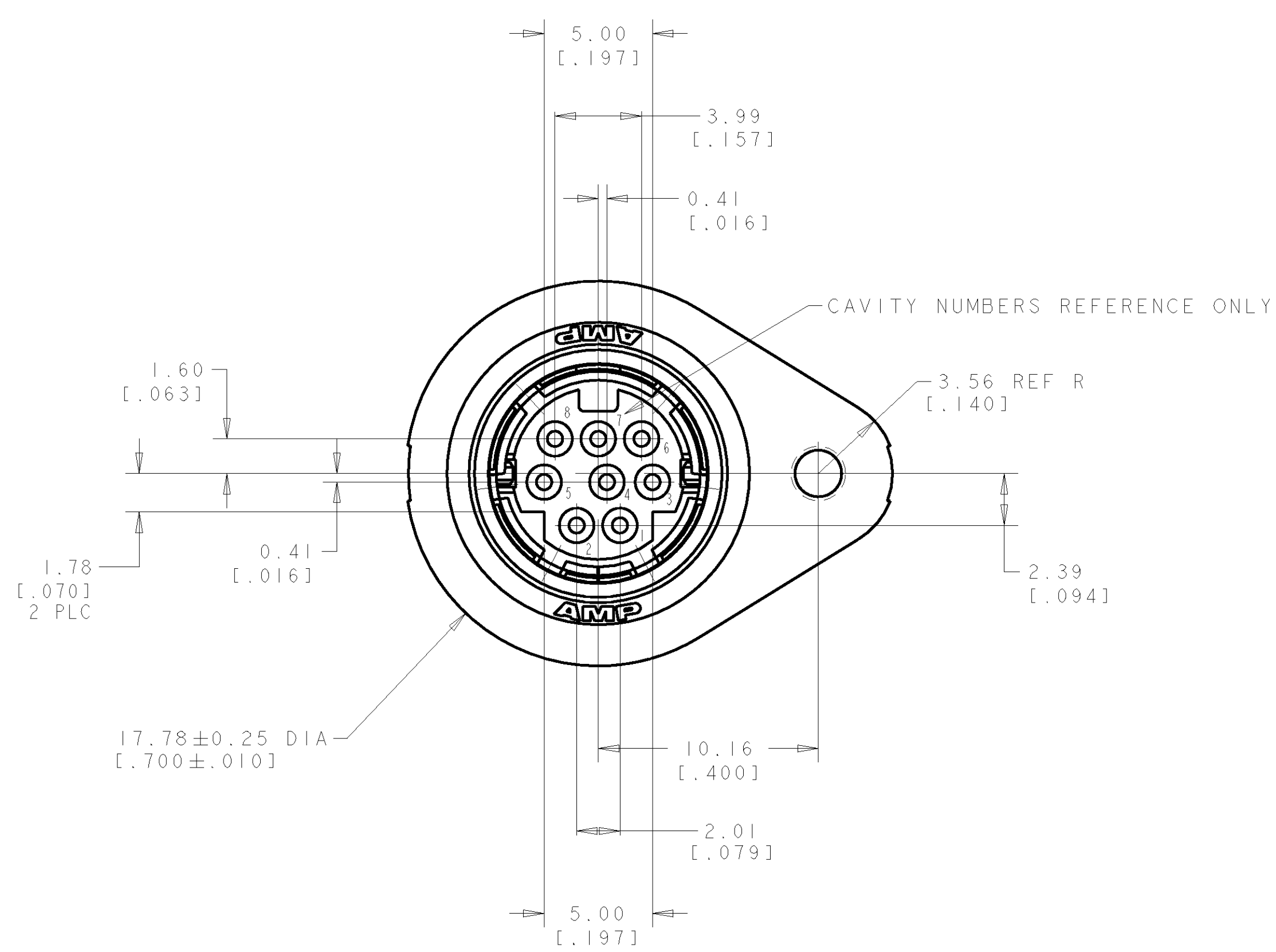
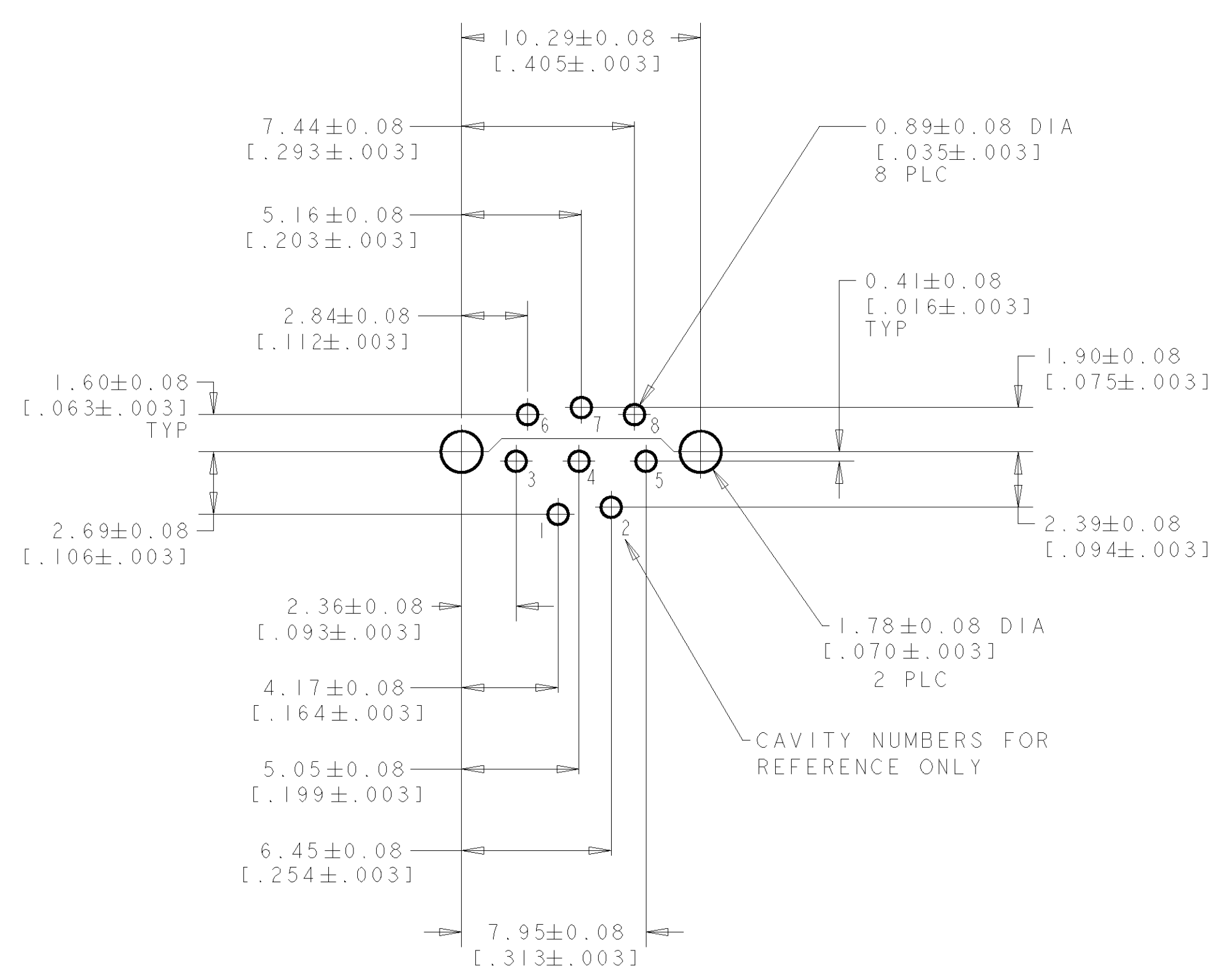
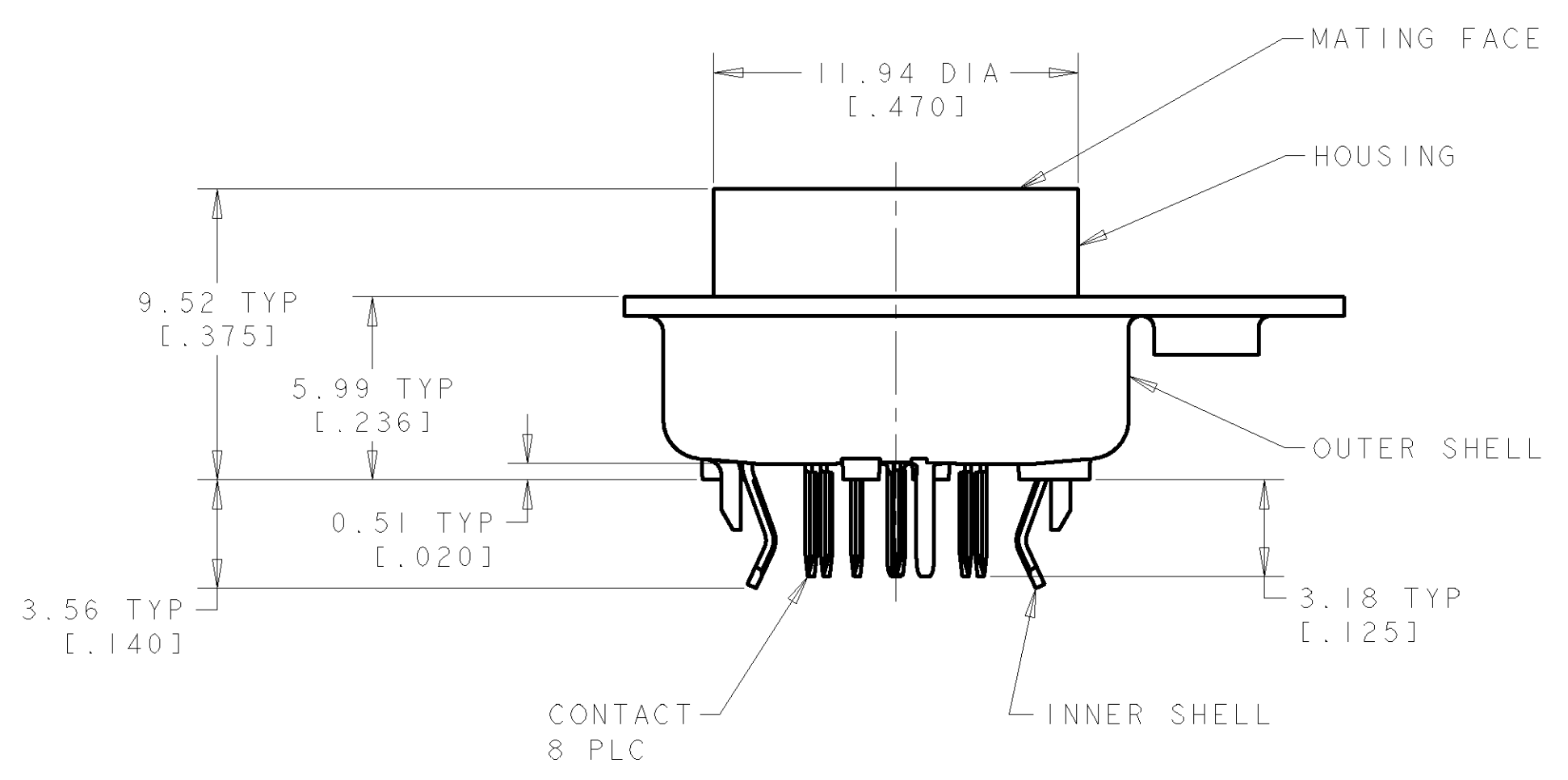


REVISONS		DATE	DNM	APRD
LOC	DIST	DESCRIPTION		
0		NPR FP00-0216-04	31AUG2004	LWY LSF

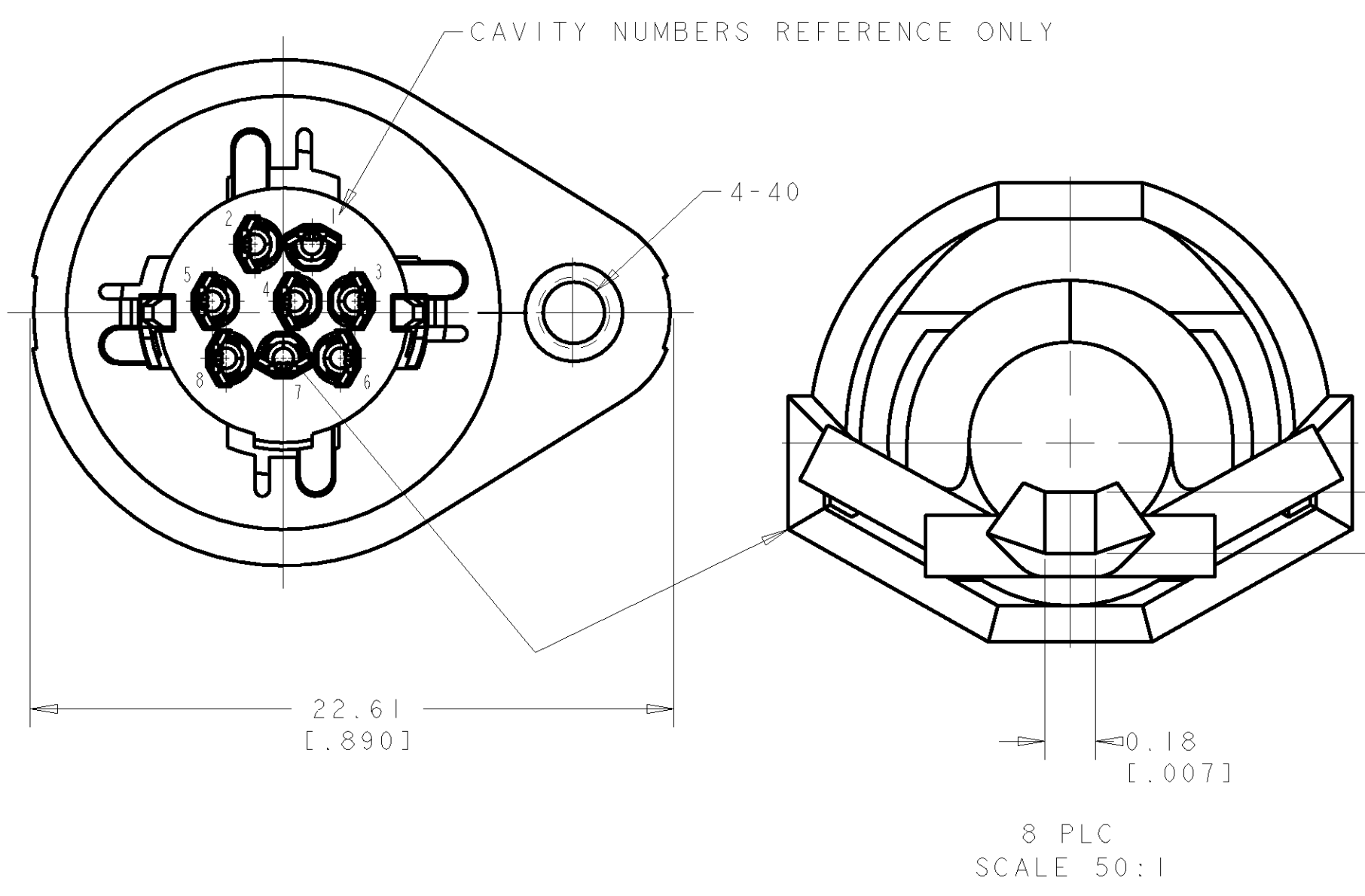


RECOMMENDED PANEL CUT-OUT

- 1 SHELLS: BRASS; CONTACTS: PHOSPHOR BRONZE; HOUSING: POLYESTER, UL 94V-0 RATED, BLACK.
- 2 0.76 μm [.000030] MIN GOLD ON MATING END FOR A LENGTH OF 1.37 [.054] MIN ON INSIDE, 2.54 μm [.000100] MIN TIN FOR A LENGTH OF 3.30 [.130] MIN FROM OPPOSITE END, ALL OVER 1.27 μm [.000050] MIN NICKEL.
- 3 0.38 μm [.000015] MIN GOLD ON MATING END FOR A LENGTH OF 1.37 [.054] MIN ON INSIDE, 2.54 μm [.000100] MIN TIN FOR A LENGTH OF 3.30 [.130] MIN FROM OPPOSITE END, ALL OVER 1.27 μm [.000050] MIN NICKEL.
- 4 RECEPTACLE ASSEMBLY MATES WITH 8 PIN, 8.99±0.10 [.354±.004] DIAMETER PLUG.



RECOMMENDED PC BOARD LAYOUT BOTTOM VIEW



CONTACT FINISH	5750340-2
PART NO	5750340-1
Tyco Electronics Singapore Pte. Ltd.	
NAME: RECEPTACLE ASSEMBLY, 8 POSN, LOW FLANGE, SHIELDED, VERTICAL, MINATURE CIRCULAR DIN	
SIZE	CAGE CODE
A1	00779
SCALE	5:1
SHEET	1 OF 1
REV	0

DIMENSIONS: mm [INCHES]		TOLERANCES UNLESS OTHERWISE SPECIFIED:	
0 PLC	±	1 PLC	±
1 PLC	±	2 PLC	±0.13 [.005]
3 PLC	±	4 PLC	±
5 PLC	±	6 PLC	±
8 PLC	±	ANGLES	±
MATERIAL		FINISH	
-		1 2 3	
CUSTOMER DRAWING		DRAWING NO	
-		5750340	